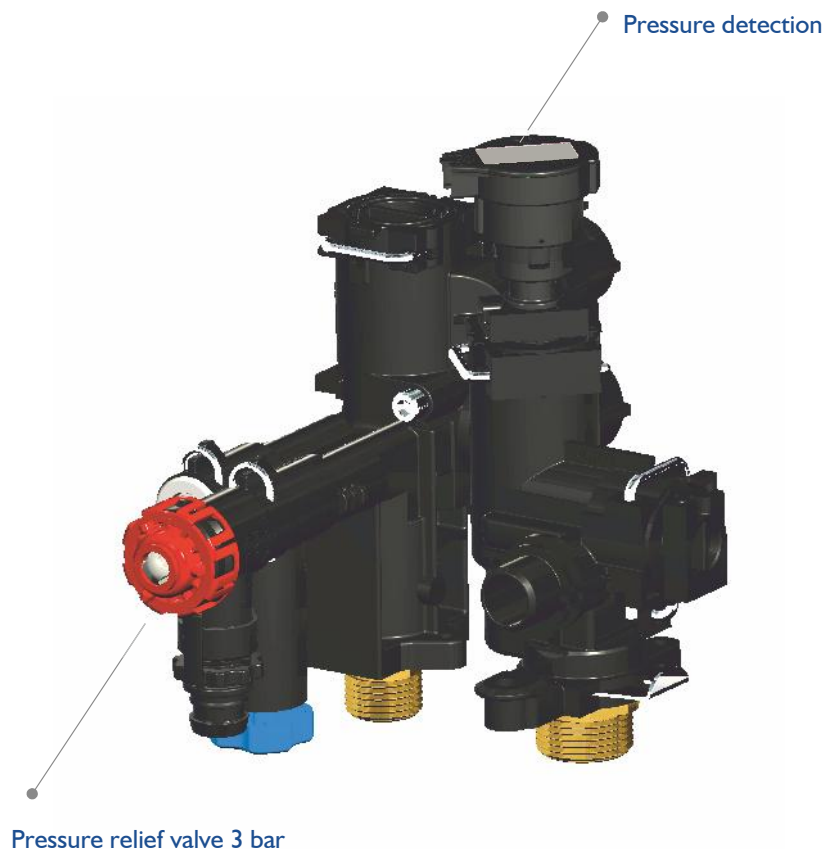


CH Only without integrated pump



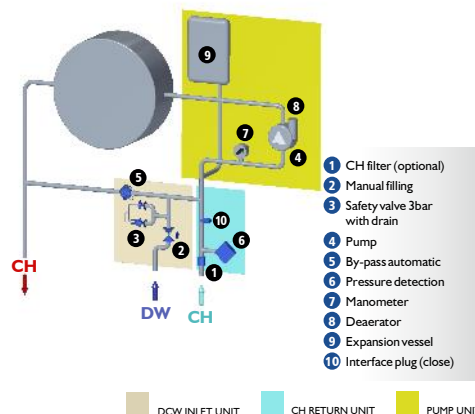
Description

The CH only Unit is a standard product without integrated pump, that incorporates all the main features needed to control the water circuit in a wall-hung boiler where no DHW heating is requested. The layout of these boilers is less complex compared to the others, in fact no diverting valve and sanitary cartridge are foreseen. Several customizations are possible, for additional information refer to the Available features shown in this page. All main pump suppliers have a pump housing suitable to be assembled with this product. Both standard and high efficiency pumps can be used.

Datasheet

- Ambient temperature**
From 2°C to 70°C
- Water temperature**
CH circuit: from 2°C to +95°C, peak 110°C
- Water pressure**
CH circuit: from 0bar to 3bar
- Electric connections**
Rast 2.5 / Faston Tabs
- Approval(s)**
ENEC, WRAS compliant

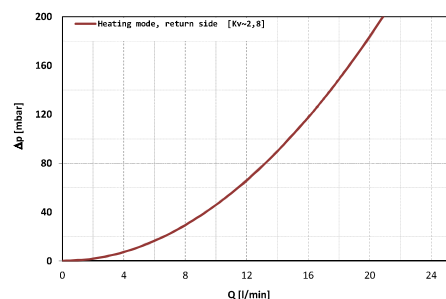
Hydraulic scheme



Available features

PUMP	Standard Efficiency	High Efficiency		
PRESSURE DETECTION	Pressure switch	Pressure sensor		
PRV 3BAR	w/ drain tap	w/o drain tap	w/ knob	w/o knob
DRAINING	on PRV 3BAR	on pump		
AUTOMATIC BY PASS	through PHE	External		
3 WAY VALVE	24VAC	120VAC	230VAC	
DW FILTER	plastic	metallic		
FLOW RESTRICTOR	without	[on request from 6.5 to 18 l/min]		
FLOW DETECTION	HS effect flowmeter			
TEMPERATURE SENSOR	NTC w/ B=3435	NTC w/ B=3977		
FILLING	[disabled function]	Manual tap	Automatic	

Pressure drop in CH circuit



Overall dimensions

