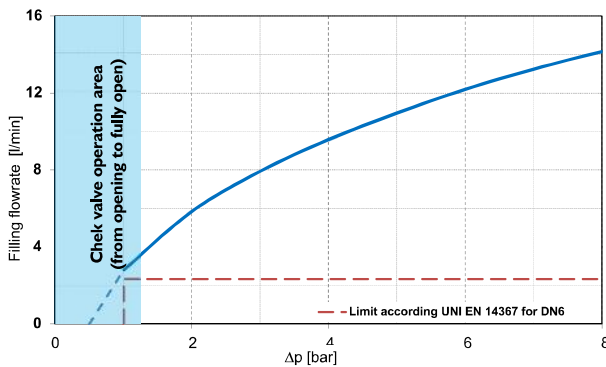


# Hvac components

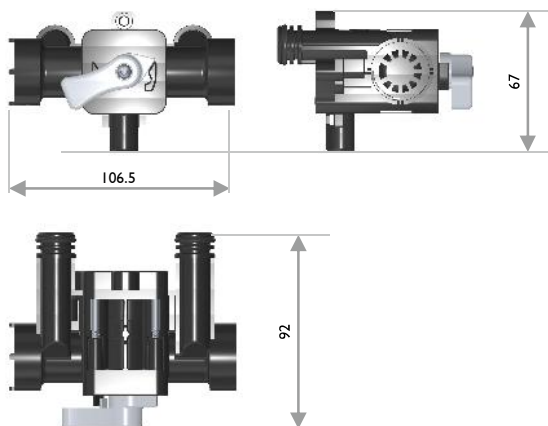


## Disconnecter (manual/automatic)

### Pressure drop



### Overall dimensions (manual)



### Description

The disconnecter is a filling device used in wall-hung boilers that provides the hydraulic connection between the sanitary (DW) and the central heating (CH) circuit. Thanks to the presence of 2 internal taps, 2 check valves and a pressostatic system, it prevents the backflow by venting to the atmosphere before the downstream pressure is by 10% higher than the upstream pressure. A single knob controls the complete disconnecter enabling the end user or the installer to easily fill the system whenever needed.

The disconnecter complies with UNI EN 1717, Family C, Type A degree of protection up to 3. When the automatic version is requested a special connector can be provided to satisfy IP44 protection grade.



### Datasheet

**Ambient temperature** From 2° to 70°C

#### Water temperature

CH circuit: from 2° to +95°C peak | 10°C

DW circuit: from 2°C to +70°C, peak 85°C

#### Water pressure

CH circuit: from 0 bar to 3 bar

DW circuit: from 0.3 bar to 10 bar

#### Hydraulic interface

Quick connection with steel clip and O-ring

#### Electric connections (automatic version)

Faston Tabs 6.3 x 0.8 mm - Rast 5

#### Power supply (automatic version):

220V 50/60 HZ

#### Approval(s): WRAS

#### Other features

Integrated upstream and downstream taps

Single knob for opening/closing

### Overall dimensions (automatic)

